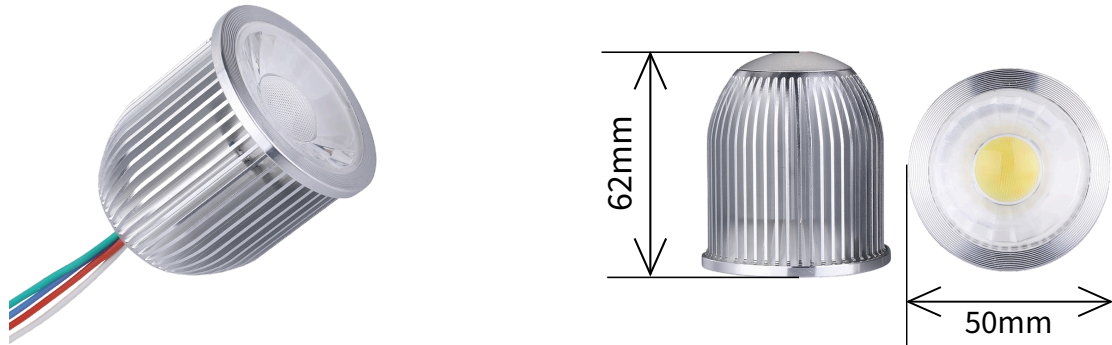




## Arc LED 24V 8W RGBW LED Module 3000K / 4000K

**Product Code: ARC-FRMODRGB**

With RGBW technology, users can achieve rich, saturated colours alongside clean, consistent white illumination—perfect for scenes that require both practicality and visual impact.



### **Product Overview**

The Arc LED 24V 8W RGBW LED Module delivers vibrant colour-changing capability combined with high-quality white light, making it ideal for premium residential and commercial lighting applications. Offering both warm (3000K) and neutral (4000K) white options, this module provides exceptional versatility for ambient, accent, or dynamic feature lighting.

### **Technical Specifications**

Specification	Details
Product Code	ARC-FRMODRGB
Material	Die-Cast Aluminum
Finish	Silver
IP Rating	IP20
Height	62 mm
Width	50 mm
Color Temperature	3000K, 4000K
Led Input voltage	240V,
Wattage	8W
Lamp Luminous Efficiency(lm/w)	90
Lamp Luminous Flux(lm)	900
Beam Angle	30D/60D
Color	RGBW

**ArcLED – UK’s LED Strip & Profile Specialists – Commercial & Domestic**

Unit 4, Drakes Court, Eagle Rd, Plympton, Plymouth, Devon PL7 5JY

■ info@arc-led.co.uk | ■ www.arc-led.co.uk