



Features:

- Constant voltage/ PWM Output
- Leading & Trailing edge dimmable
- AC input: 200-240VAC
- Built-in active PFC function
- Efficiency up to 85%
- Protections: Short circuit/ Over loading/ Over current/ Over temperature
- Full protection aluminium housing
- Cooling by free air convection
- Suitable for LED lighting and moving signs
- 5 years warranty

UK
CA



SELV IP66



Models

ELED-100P-24T

Output Specifications

Output Voltage	24V
Voltage Tolerance	±0.5V
Output Current	4.16A
Rated Power	100W

Input Specifications

Input Voltage	200-240VAC
Frequency Range	47-63Hz
Inrush Current	49.5A (Twidth=490µs 230VAC)
Full Load Efficiency (Typ.)	84%
AC Current (Max.)	0.8A
Leakage Current	<0.50mA
Power Factor	PF>0.97/200VAC PF>0.97/230VAC PF>0.97/240VAC (Full Loading)

Protection

Short Circuit	Shut down o/p voltage, re-power on to recover after fault condition is removed
Over Loading	≤120%, shut down o/p voltage, re-power on to recover
Over Temperature	100°C± 10°C shut down o/p voltage, re-power on to recover

Environment

Working Temperature	-40~+60°C (Refer to derating curve)
Working Humidity	20-95% RH, non-condensing
Storage Temperature, Humidity	-40~+80°C, 10-95% RH
Temperature Coefficient	±0.03%/°C (0-40°C)

Environment

Vibration 10-500Hz, 5G 12min./ 1 cycle, period for 72min.each along X, Y, Z axes

Safety & EMC

Safety standards EN61347-1, EN61347-2-13

Withstand Voltage I/P-O/P:3.75KVAC I/P-FG:1.88KVAC O/P-FG:0.5KVAC

Isolation Resistance I/P-O/P I/P-FG O/P-FG: 100MΩ/500VDC/25°C/70%RH

EMC Emission Compliance to EN55015, EN61000-3-2, 3 (>60%load)

EMC Immunity EN61000-4-2,3,4,5,6,11, EN61547

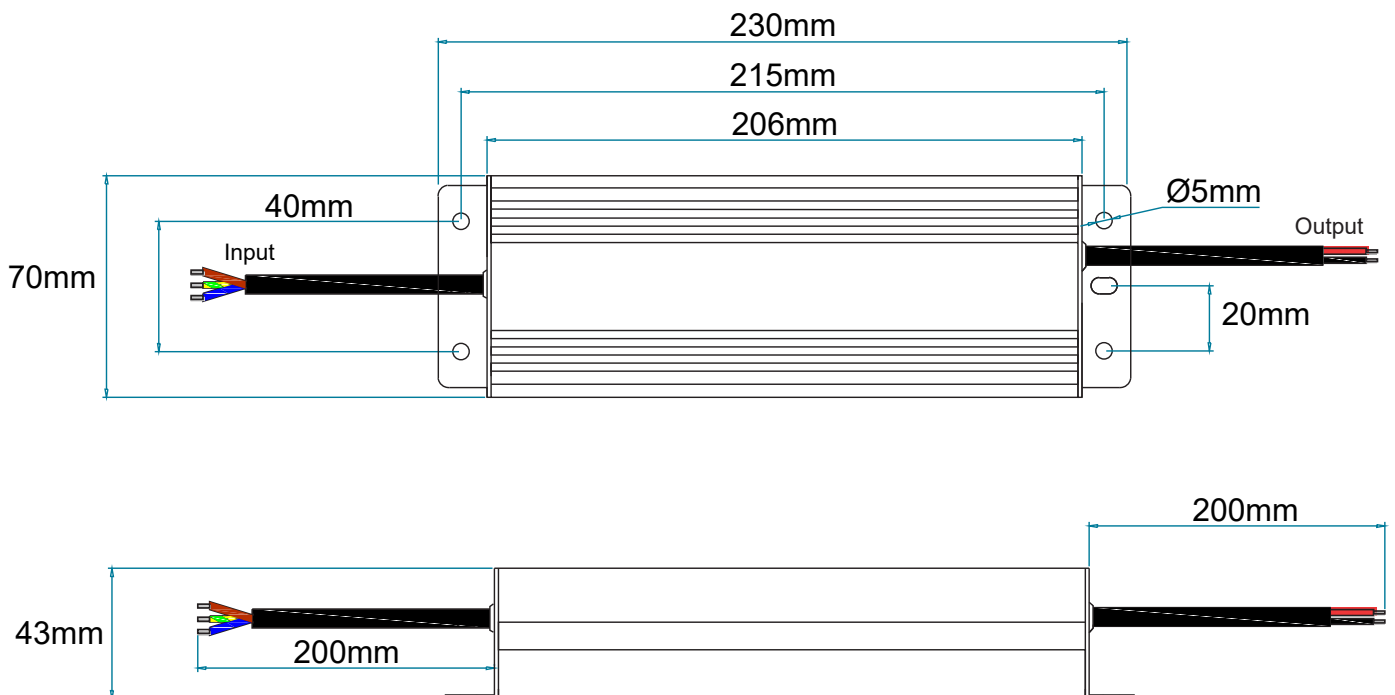
Other Specifications

Weight 1.1 kg

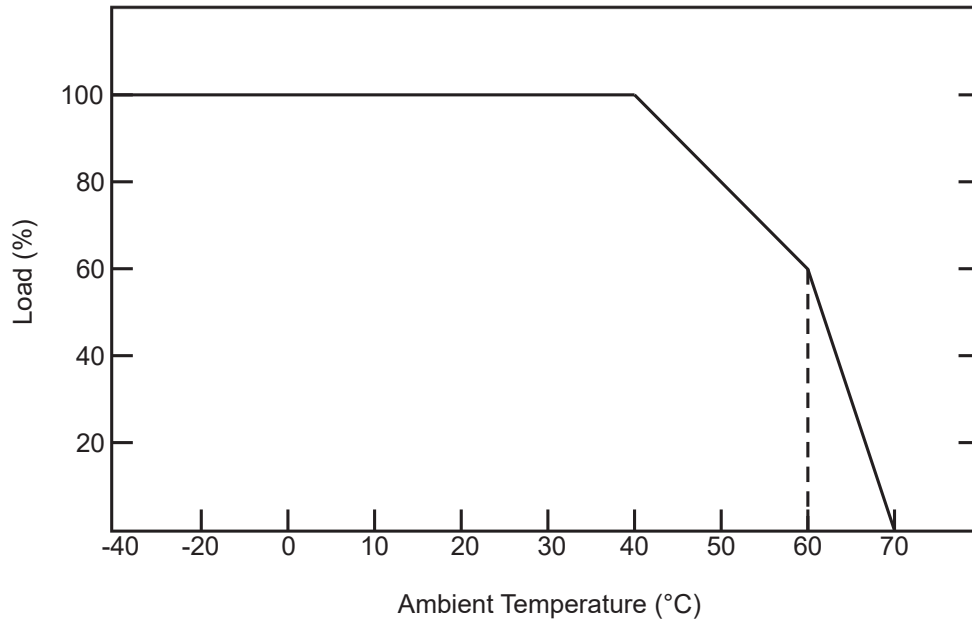
Size 230 x 70 x 43 mm

Packing 245 x 75 x 65 mm (inner box), 340 x 275 x 170 mm (10PCS/CTN)

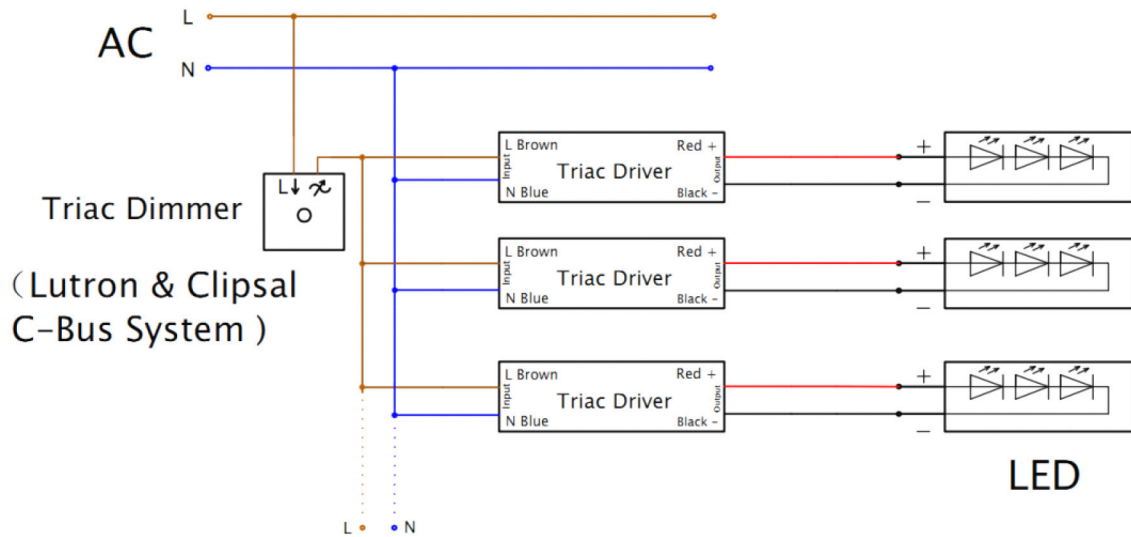
Mechanical Specifications



Derating Curve



Connecting Diagram



Connecting Diagram

