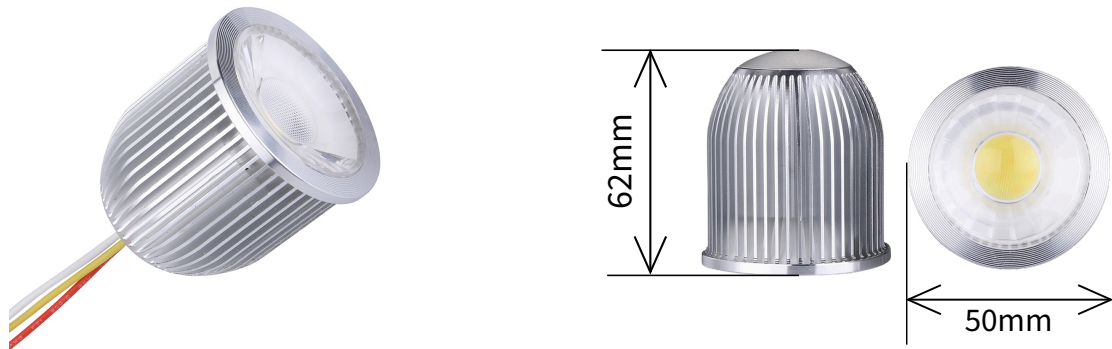




Arc LED 24V 10W RGB+CCT LED MODULE

Product Code: ARC-FRMOD-10W-RGB+CCT

Engineered for reliability and smooth performance, the RGB+CCT LED Module pairs effortlessly with ArcLED control systems for complete lighting customisation - from vivid colours to high-quality white light.



Product Overview

The ArcLED 24V 10W RGB+CCT LED Module is a compact, high-performance lighting unit designed for applications that require both dynamic colour control and precise white-light adjustment. With full RGB colour capability and a tunable white range from warm 2700K to cool 6500K, this module offers exceptional versatility for ambient, accent, and architectural lighting.

Technical Specifications

Specification	Details
Product Code	ARC-FRMOD-10W-RGB+CCT
Material	Die-Cast Aluminum
Finish	Silver
IP Rating	IP20
Height	62 mm
Width	50 mm
Color Temperature	CCT (2700K – 6500K)
Led Input voltage	240V,
Wattage	10W
Lamp Luminous Efficiency(lm/w)	90
Lamp Luminous Flux(lm)	900
Beam Angle	60D
Color	RGB+CCT (2700K – 6500K)

ArcLED – UK’s LED Strip & Profile Specialists – Commercial & Domestic

Unit 4, Drakes Court, Eagle Rd, Plympton, Plymouth, Devon PL7 5JY

■ info@arc-led.co.uk | ■ www.arc-led.co.uk