

Recessed Track Profile

NanoBrite 48V Magnetic Track

50mm

WIDTH

13.5mm

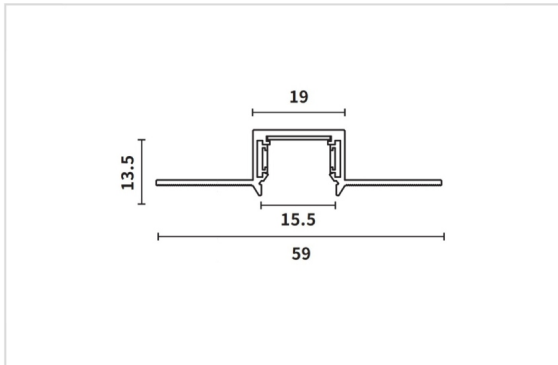
HEIGHT

48V

INPUT

2m

LENGTH



All dimensions in mm. Supplied in 2m (2000mm) lengths.

SPECIFICATION

DIMENSIONS

Width	50mm
Height	13.5mm
Aperture	15.5mm
Length	2000mm (2m)

MATERIAL & FINISH

Material	AL6063 Anodised Aluminium
Coating	Black (RAL9005)
IP Rating	IP20

ELECTRICAL & CONTROL

Input voltage	48V DC
Dimming	Dimmable
Max load	300W / supply

INSTALL & COMPLIANCE

Mounting	Recessed / Surface
Application	Indoor
Certification	CE · UKCA · RoHS · Reach
Warranty	3 years

FEATURES

- Recessed (plaster-in)
- For the NanoBrite 48V magnetic track system
- Anodised aluminium,
- Cut to length with professional cutting tools
- Indoor use, IP20 rated
- 3-year warranty

ORDERING

ARC-NB-TR-PB-2M

Black	ARC-NB-TR-PB-2M-BLACK
White	ARC-NB-TR-PB-2M-WHITE

AVAILABLE FINISHES



Black



White

