

ARC-NB-2SPOT3W

Double-headed spotlight

3W

POWER

90+

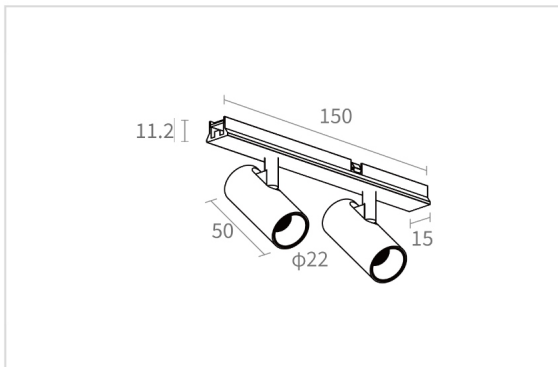
CRI

IP20

INGRESS

48V

INPUT



All dimensions in mm. Not to scale.

SPECIFICATION

ELECTRICAL

Power	3W
Input	48V DC 50/60Hz
Driver	48V Required

OPTICAL

CRI	90+
Colour Temp	3000-4000K
Beam Angle	36°
Lumens	132-134lm
LED Lifespan	50,000-hours

PHYSICAL

Face Ø	22mm
Depth	50mm
IP Rating	IP20
Material	Aluminum - AL6063

CONTROL

Dimming	On/off, 0-10V/DALI/Zigbee
Compatible drivers	48V Required

FEATURES

- Fits NanoBrite Tracks
- 3 Year warranty

ORDERING

3W 3000K - Black	ARC-NB-2SPOT3W-3K-BLACK
3W 3000K - Gold	ARC-NB-2SPOT3W-3K-CHAMPAGNE GOLD
3W 3000K - White	ARC-NB-2SPOT3W-3K-WHITE
3W 4000K - Black	ARC-NB-2SPOT3W-4K-BLACK
3W 4000K - Gold	ARC-NB-2SPOT3W-4K-CHAMPAGNE GOLD
3W 4000K - White	ARC-NB-2SPOT3W-4K-WHITE

AVAILABLE FINISHES



White



Black

