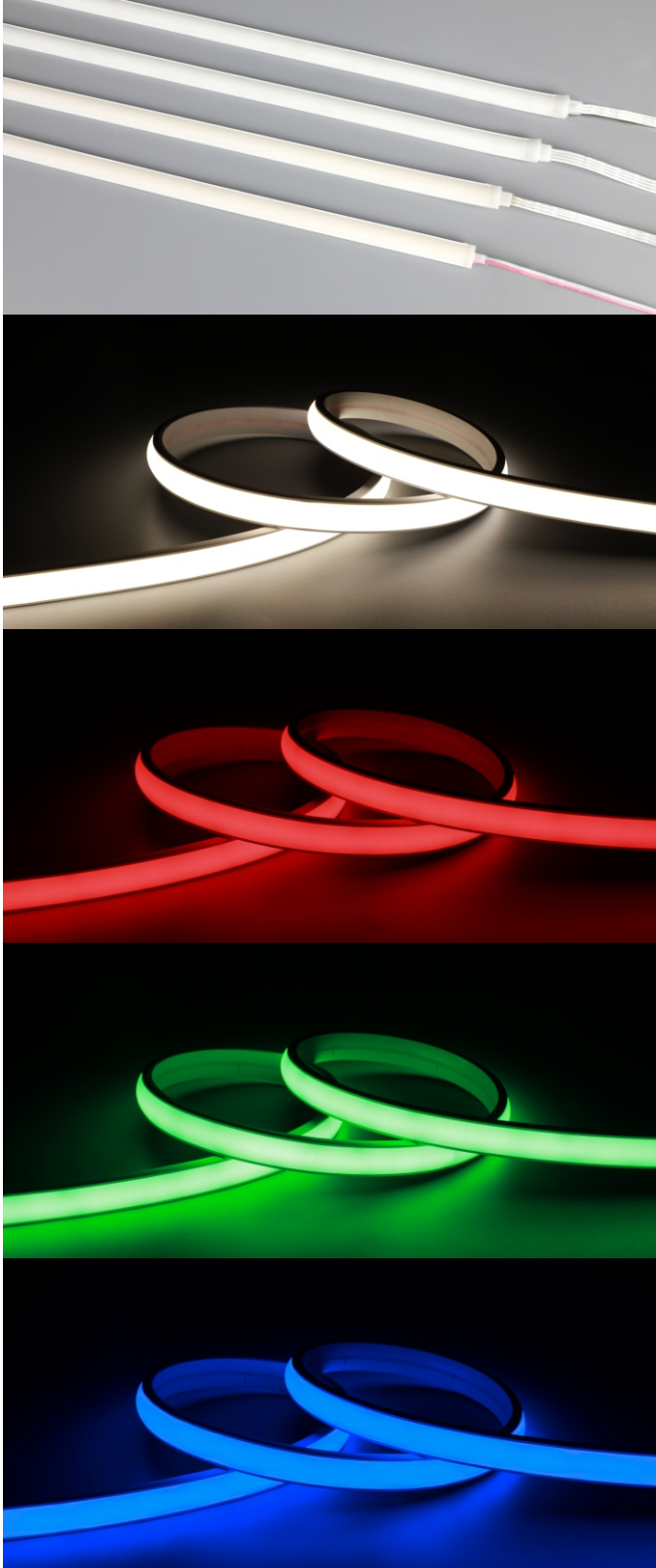


LED Strip Light

Dot-Free Pure Flow Series

COB IP67 NS-177 White/CCT/RGB



Features

1. Upscale milky color silicone with matte finishing self-cleaning coating.
2. Uniform, dot-free, smooth and comfortable using COB light source.
3. Good structural and mechanical properties during usage and manufacturing.
4. High production efficiency by adopting silicone extrusion processing technology.
5. Higher waterproof grade in IP67 for indoor and outdoor usage.
6. 50,000h lifespan and 5 years warranty with CE&UL approval.

Application

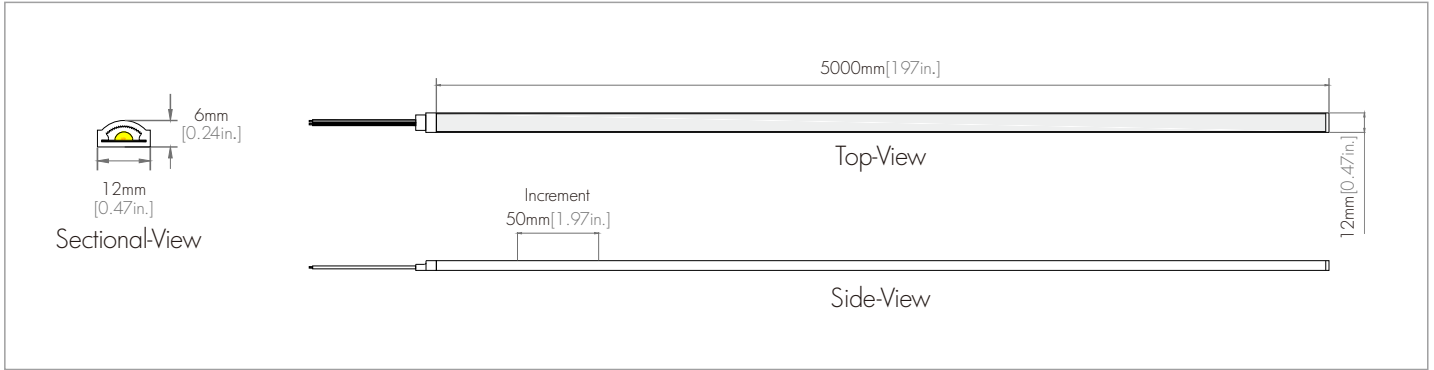
- Ideal for high-end linear lighting application in residential, retail, hospitality and landscape.



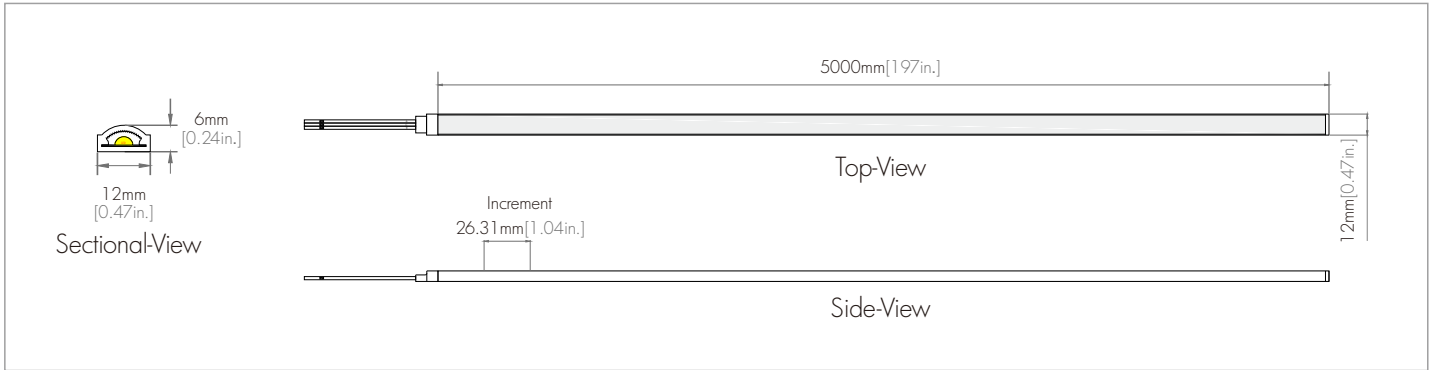
LED Strip Light

Diagram (Terminal is sealed by die-casting process)

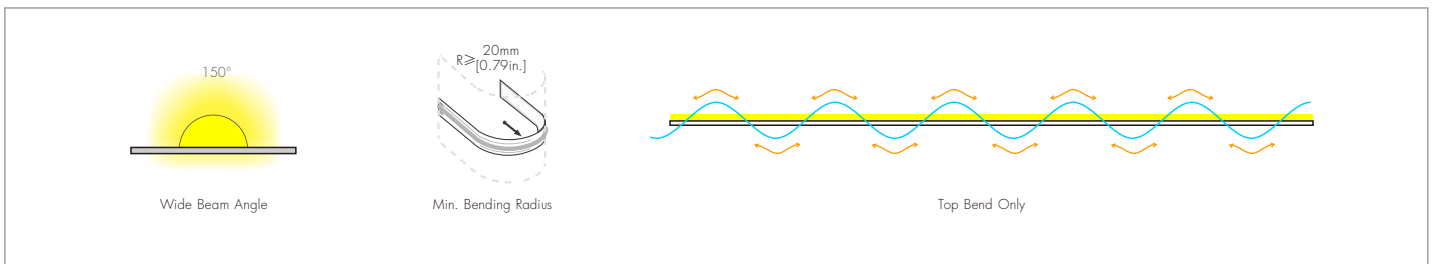
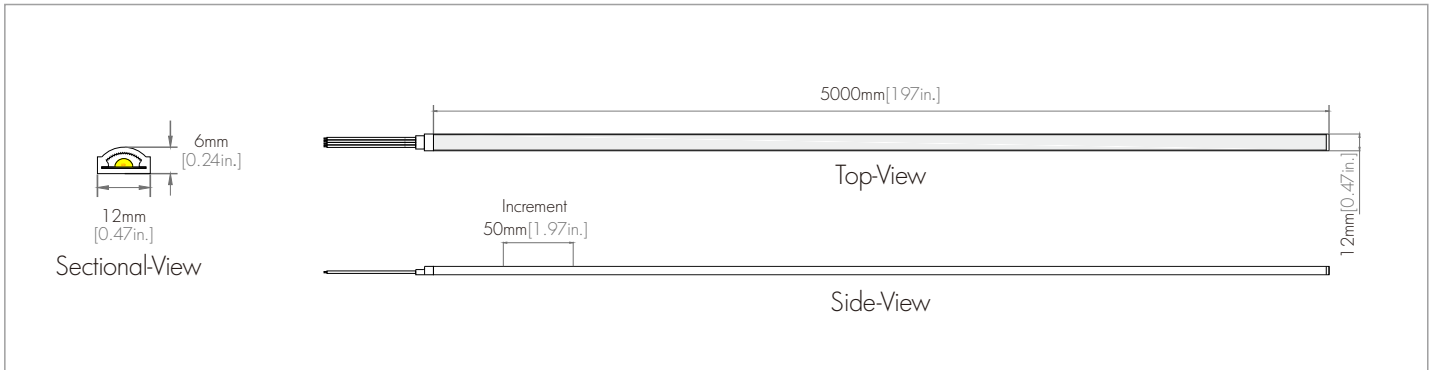
White



CCT



RGB



LED Strip Light

General Parameters

Dimension	Max. Length (La)	Increment (L1)	LED Type	LED QTY	IP Rating	Operating Ambient	Lifespan	Warranty
W12*H6mm [W0.47*H0.24in.]	5M [16.4ft.] (Power fed on one side)	50mm [1.97in.]	COB	480chips/M [146chips/ft.]	IP67 [Wet]	Ta (working): -20~45°C [-4~113°F] & Tstg (storage): -20~60°C [-4~140°F]	50,000h (L70@ Tc≤ 65°C[149°F], Tc is the temp. of LED pin)	5 years
		Free-Cutting		320chips/M [97chips/ft.]				
		26.31mm [1.04in.]		608chips/M [185chips/ft.]				
		50mm [1.97in.]		840chips/M [256chips/ft.]				

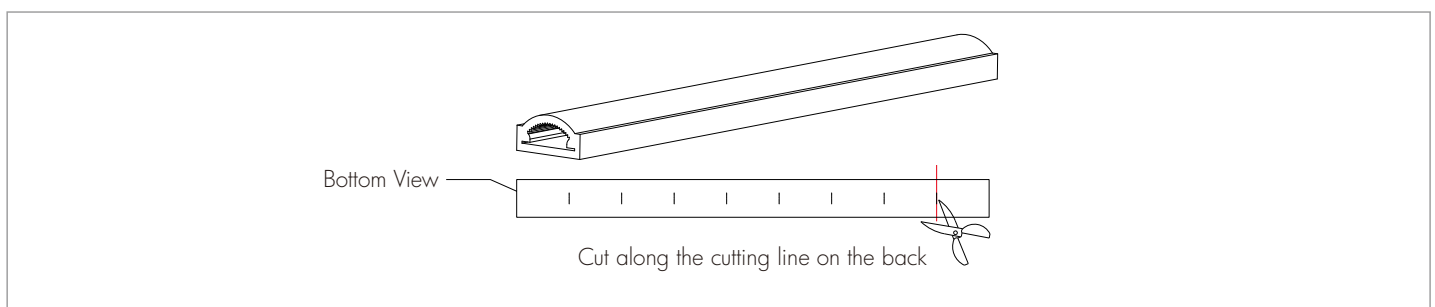
Photoelectric Parameters

Power±10%	Operating Voltage	Finished Product CCT/ Wavelength	CRI80, 4000K		CRI90, 4000K		Beam Angle
			Luminous Flux±10%	Light Efficiency	Luminous Flux±10%	Light Efficiency	
12W/M [3.66W/ft.]	24VDC	2700K±120K 3000K±150K 3500K±300K 4000K±300K 5000K±400K 6500K±500K (5-step SDCM)	\	\	912lm/M [278lm/ft.]	76lm/W	120°
15W/M [4.57W/ft.]		\	\	1200lm/M [366lm/ft.]	80lm/W		
14W/M [4.27W/ft.]		2700K~6500K CCT-Tunable (5-step SDCM)	\	\	980lm/M [299lm/ft.]	70lm/W	
15W/M [4.57W/ft.]		R: 620-630nm G: 515-525nm B: 460-470nm	\	\	480lm/M [146lm/ft.]	32lm/W	

Note:

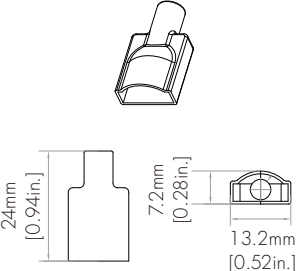
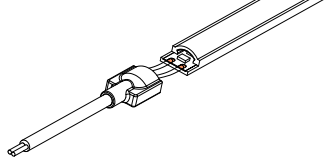
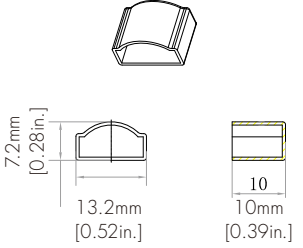
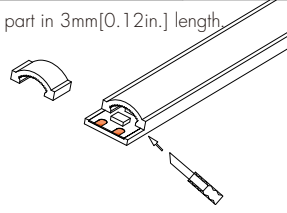
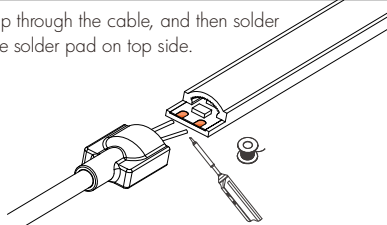
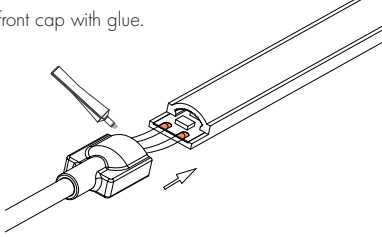
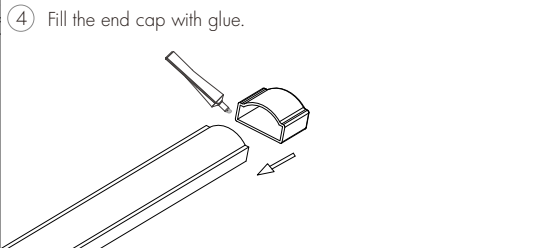
- (1) The lumen flux value above is base on 1M[3.28ft.] length, it need to be measured and considered separately for other longer lengths.
- (2) This strip is containing product, with replaceable COB strip light source operated by professional. And, the energy efficiency class of regulation (EU)2019/2020 are F @White&CRI90 and G @CCT&CRI90 for inner COB strip light source.
- (3) Luminous flux for CCT 2700K is 10% lower, for CCT 3000K/3500K is 5% lower, for CCT 5000K/6500K is the same, compared with 4000K.
- (4) Applying with extra heat sink for cooling is not necessary with self-cooling capacity
- (5) It is available for forward or backward top bend, with a minimum bending radius of 20mm[0.8in.].
- (6) Transparent double-side adhesive tape attached on backside, is standard configuration.
- (7) 200mm[11.8in.] length of AWG22 UL3239 cable is standard configuration in one end,is standard configuration.
- (8) White reel and silvery ESD bag, are standard configuration.
- (9) Installation accessories such as clip, screw, connector etc. are all optional base on specific demand.
- (10) Some parameters and configurations are customizable, do not hesitate to contact us for a more detailed discussion.

Cutting




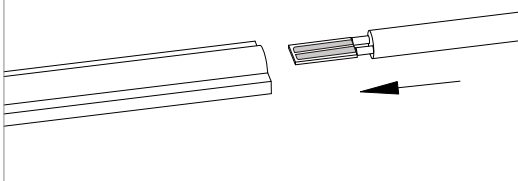
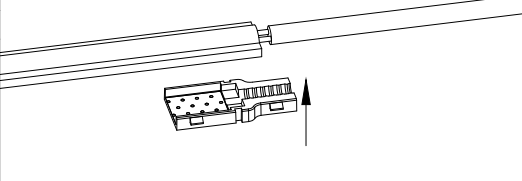
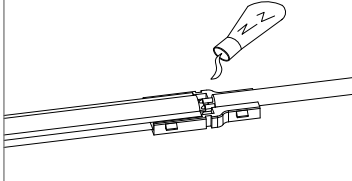
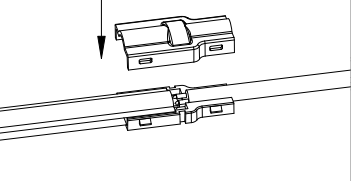
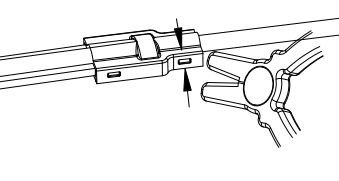


Assembly

Option 1: Terminal is sealed with end cap by gluing process.

<p>Front Cap</p>  <p>24mm [0.94in.] 7.2mm [0.28in.] 13.2mm [0.52in.]</p>		
<p>End Cap</p>  <p>7.2mm [0.28in.] 13.2mm [0.52in.] 10mm [0.39in.]</p>	<p>① Cut off the silicone part in 3mm[0.12in.] length.</p> 	<p>② Put the front cap through the cable, and then solder the cable to the solder pad on top side.</p> 
<p>③ Fill the front cap with glue.</p> 		<p>④ Fill the end cap with glue.</p> 

Option 2: Terminal is sealed with quick-assembly connector.

<p>For The End Cap In Front</p>		
 1X <p>Upper cover in front</p>  1X <p>Lower cover in front</p>  1X <p>Power cable with conductive plate</p>	<p>① Insert the power cable with conductive plate into the bottom of the PCBA and leave 2mm[0.08in.] outside.</p> 	<p>② Fix the strip light on the lower cover.</p> 
<p>③ Apply an appropriate amount of glue to the reserved 2mm[0.08in.] slot and fill the grooves and gaps.</p> 	<p>④ Put the upper cover onto the bottom cover.</p> 	<p>⑤ Fasten the upper cover to the lower cover by plier, until the buckle is installed in place.</p> 

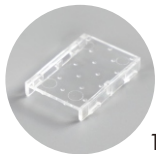
Assembly

For The Extension Connector In The Middle



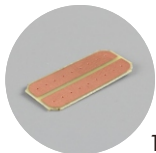
1X

Upper cover of extension connector



1X

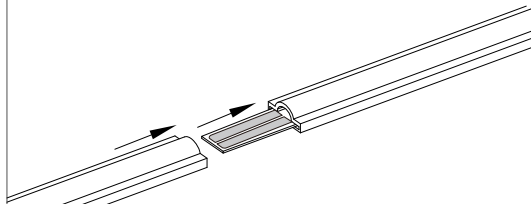
Lower cover of extension connector



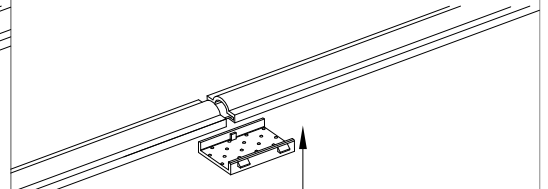
1X

Conductive connection plate

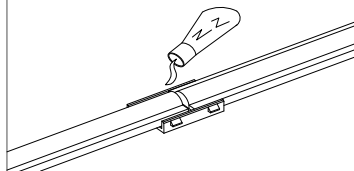
- ① Insert the conductive connection plate into the bottom of the PCBA of the two strip lights, and leave 2mm[0.08in.] outside in the middle.



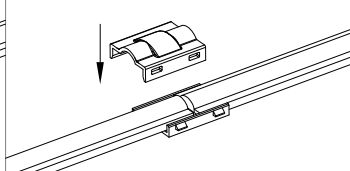
- ② Fix the two strip lights on the lower cover and align the limit structure.



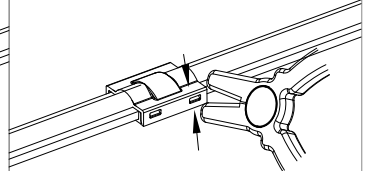
- ③ Apply an appropriate amount of glue to the reserved 2mm[0.08in.] slot and fill the grooves and gaps.



- ④ Put the upper cover onto the bottom cover.



- ⑤ Fasten the upper cover to the lower cover by plier, until the buckle is installed in place.



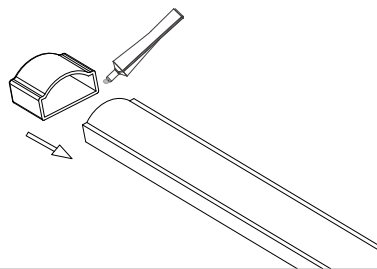
For The End Cap At The Tail



1X

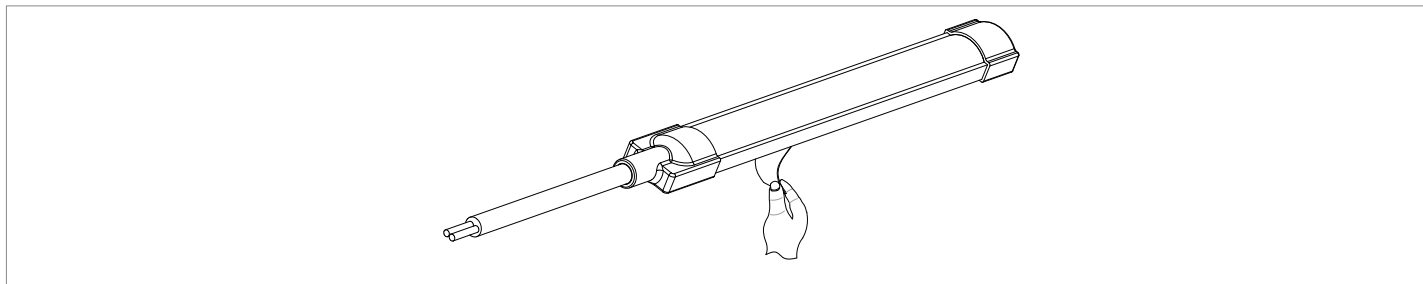
End Cap

- ① Fill the end cap with glue.

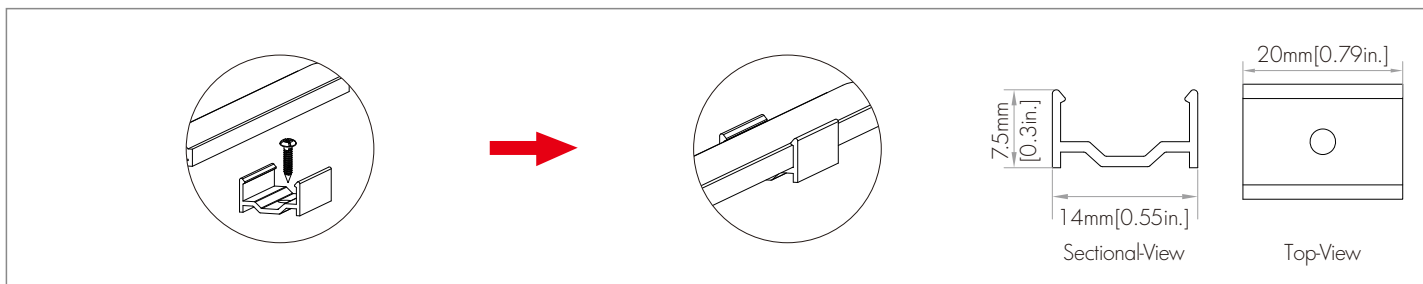


Installation

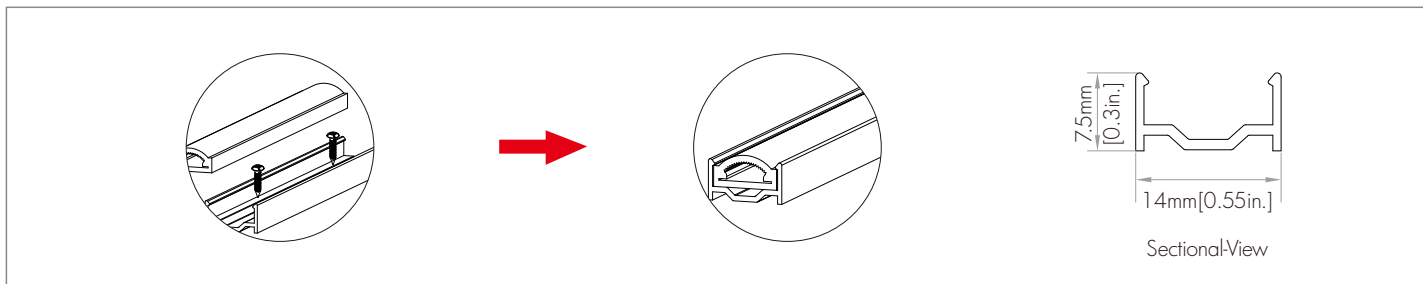
Option 1: Fixed by 3M tape



Option 2: Fixed by aluminum bracket and screw

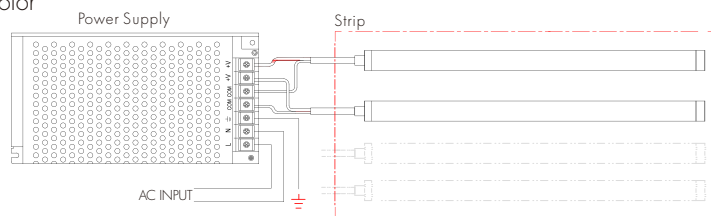


Option 3: Fixed by aluminum profile and screw

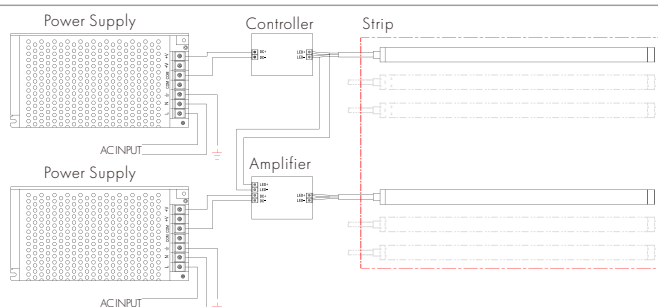


Connection

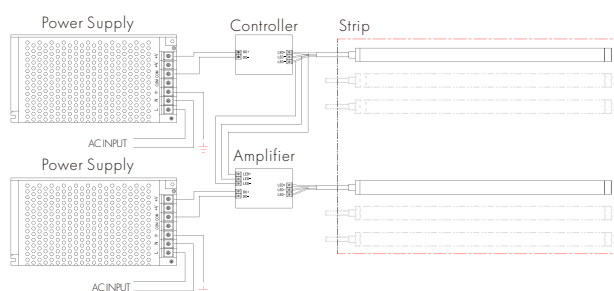
Non-Dimming Status for Single Color



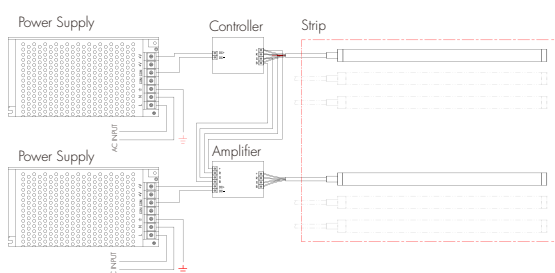
Dimming Status for Single Color



Dimming Status for CCT-Tunable Color



Dimming and tuning status for RGB



Important notice for wiring: the linkable connection must be from DI to DO strictly following the arrow printing on connector, it can't be made by reverse connection, otherwise the product will be out of control and even damaged.

Packing



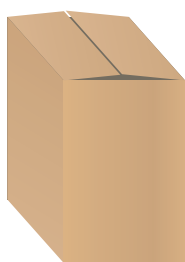
Roll the strip to the Reel



Put into the ESD Bag



Put desiccant and accessories into the ESD bag



Put into the inner carton



Put into the outer carton

Part No.	Product Dimension	Product N.W.	Outer Carton Size	Product QTY/ Outer Carton	Carton Total G.W.
NS-177 (GLHF COBXX-24-CV-480-9423)	15000*W12*H6mm [L1 97*W0.47*H0.24in.]				
NS-177 (GLHF COBXX-24-CV-320-9768)	15000*W12*H6mm [L1 97*W0.47*H0.24in.]				
NS-177 (GLHF COBXX-24-CV-608-9430)	15000*W12*H6mm [L1 97*W0.47*H0.24in.]				
NS-177 (GLHF COBXX-24-CV-840-9431)	15000*W12*H6mm [L1 97*W0.47*H0.24in.]				

Notice

1. Adopt a suitable power supply with power that is 20% higher than the LED strip, to ensure the working lifetime of power supply.
2. Do not install it when the power is turn on. Before powering on, make sure the wiring is correct.
3. Avoid privately changing or damaging the circuit or other component on the luminary.
4. Avoid scrapes, twists, and irregular bends during installation, which might cause non-repairable quality problem.
5. LED strip in too long splicing will cause overloading or uneven brightness.
6. To protect your eyes, do not stare at the LED strip for a long time while it's lighting.
7. Only professional personnel can install, dismantle and repair.