

# ARC-NB-CYLINDER5W

Cylindrical Downlight

**5W**

POWER

**90+**

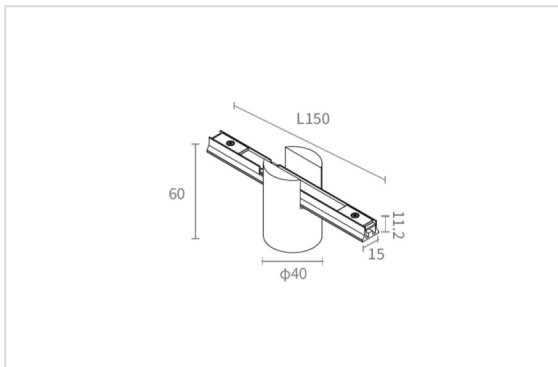
CRI

**IP20**

INGRESS

**48V**

INPUT



All dimensions in mm. Not to scale.

## SPECIFICATION

### ELECTRICAL

Power .....	5W
Input .....	48V DC 50/60Hz
Driver .....	48V Required

### OPTICAL

CRI .....	90+
Colour Temp .....	3000-4000K
Beam Angle .....	36°
Lumens .....	420lm
LED Lifespan .....	50,000-hours

### PHYSICAL

Face Ø .....	40mm
Depth .....	60mm
IP Rating .....	IP20
Material .....	Aluminum - AL6063

### CONTROL

Dimming .....	On/off, 0-10V/DALI/Zigbee
Compatible drivers .....	48V Required

## FEATURES

- Fits NanoBrite Tracks
- 3 Year warranty

## ORDERING

Black 3000K 5W .....	ARC-NB-CYLINDER5W-3K-BLACK
White 3000K 5W .....	ARC-NB-CYLINDER5W-3K-WHITE
Champagne Gold 3000K 5W .....	ARC-NB-CYLINDER5W-3K-GOLD
Black 4000K 5W .....	ARC-NB-CYLINDER5W-4K-BLACK
White 4000K 5W .....	ARC-NB-CYLINDER5W-4K-WHITE
Champagne Gold 4000K 5W .....	ARC-NB-CYLINDER5W-4K-GOLD

## AVAILABLE FINISHES



White



Black



Champagne Gold

