

ARC-NB-CYLINDER7W

Cylindrical Downlight

7W

POWER

90+

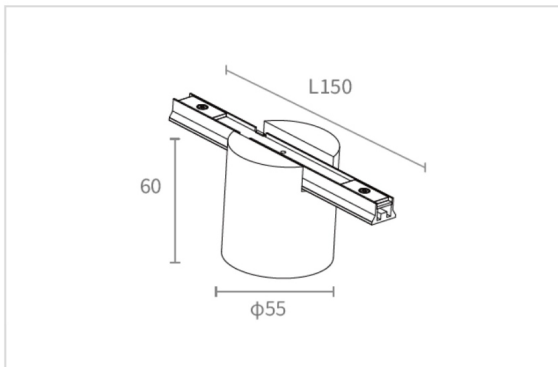
CRI

IP20

INGRESS

48V

INPUT



All dimensions in mm. Not to scale.

SPECIFICATION

ELECTRICAL

Power	7W
Input	48V DC 50/60Hz
Driver	48V Required

OPTICAL

CRI	90+
Colour Temp	3000-4000K
Beam Angle	36°
Lumens	454-480lm
LED Lifespan	50,000-hours

PHYSICAL

Face Ø	55mm
Depth	60mm
IP Rating	IP20
Material	Aluminum - AL6063

CONTROL

Dimming	On/off, 0-10V/DALI/Zigbee
Compatible drivers	48V Required

FEATURES

- Fits NanoBrite Tracks
- 3 Year warranty

ORDERING

Black 3000K 7W	ARC-NB-CYLINDER7W-3K-BLACK
White 3000K 7W	ARC-NB-CYLINDER7W-3K-WHITE
Champagne Gold 3000K 7W	ARC-NB-CYLINDER7W-3K-GOLD
Black 4000K 7W	ARC-NB-CYLINDER7W-4K-BLACK
White 4000K 7W	ARC-NB-CYLINDER7W-4K-WHITE
Champagne Gold 4000K 7W	ARC-NB-CYLINDER7W-4K-GOLD

AVAILABLE FINISHES



White



Black



Champagne Gold

